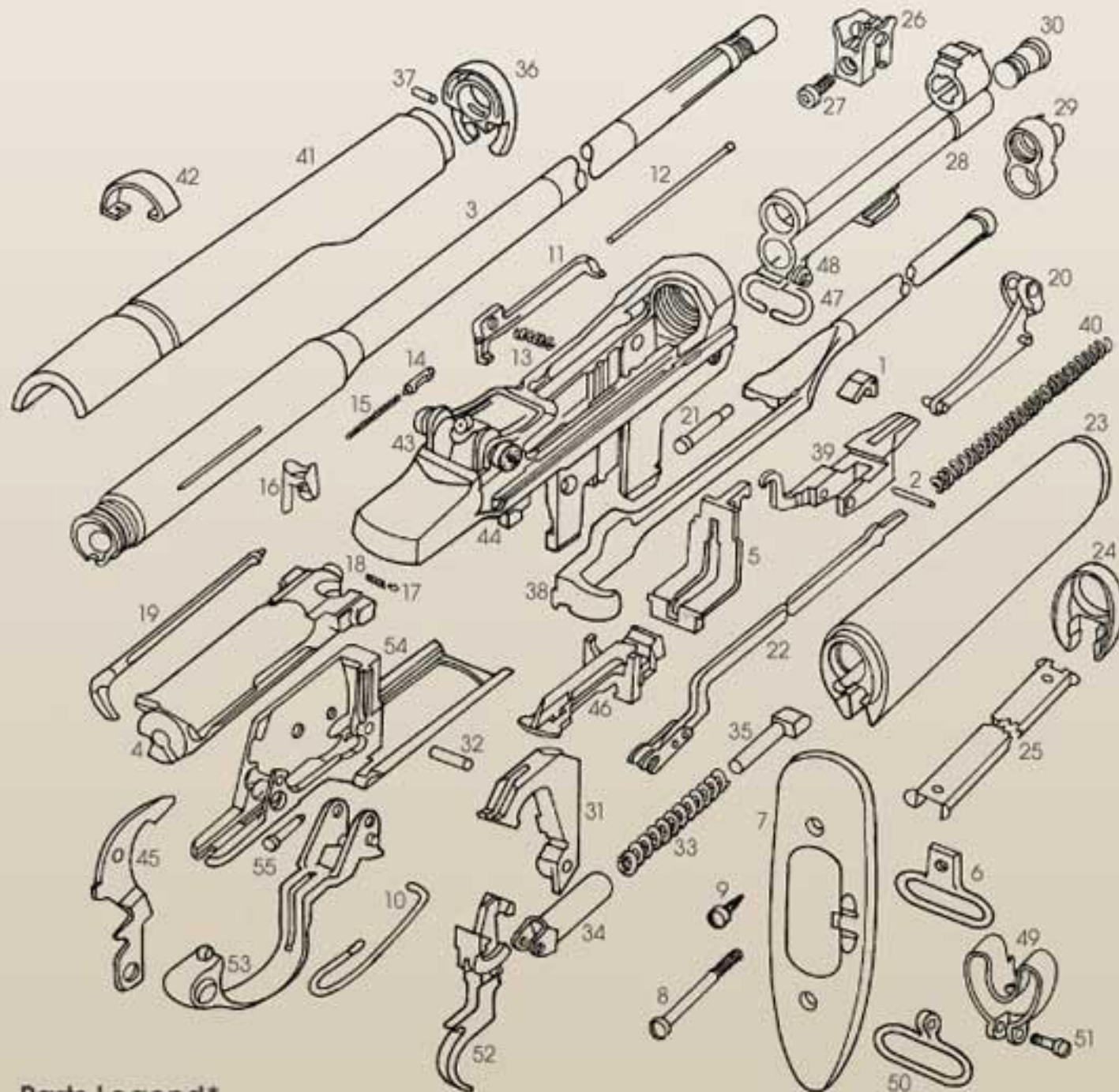


U.S. Rifle, Cal. .30, M1 "Garand"



Parts Legend*

- 1. Accelerator
- 2. Accelerator pin
- 3. Barrel
- 4. Bolt
- 5. Bullet guide

- 6. Butt swivel
- 7. Buttplate
- 8. Buttplate screw, long
- 9. Buttplate screw, short
- 10. Clip ejector

- 11. Clip latch
- 12. Clip latch pin
- 13. Clip latch spring
- 14. Ejector
- 15. Ejector Spring

- 16. Extractor
 - 17. Extractor plunger
 - 18. Extractor spring
 - 19. Firing pin
 - 20. Follower arm
 - 21. Follower arm pin
 - 22. Follower rod
 - 23. Front handguard
 - 24. Front handguard ferrule
 - 25. Front handguard spacer
 - 26. Front sight
 - 27. Front sight screw
 - 28. Gas cylinder
 - 29. Gas cylinder lock
 - 30. Gas cylinder lock screw
 - 31. Hammer
 - 32. Hammer pin
 - 33. Hammer spring
 - 34. Hammer spring housing
 - 35. Hammer spring plunger
 - 36. Lower band
 - 37. Lower band pin
 - 38. Operating rod
 - 39. Operating rod catch
 - 40. Operating rod spring
 - 41. Rear handguard
 - 42. Rear handguard band
 - 43. Rear sight assembly
 - 44. Receiver
 - 45. Safety
 - 46. Slide and follower
 - 47. Stacking swivel
 - 48. Stacking swivel screw
 - 49. Stock ferrule
 - 50. Stock ferrule swivel
 - 51. Stock ferrule swivel screw
 - 52. Trigger
 - 53. Trigger guard
 - 54. Trigger housing
 - 55. Trigger pin
- *Buttstock and sling not shown