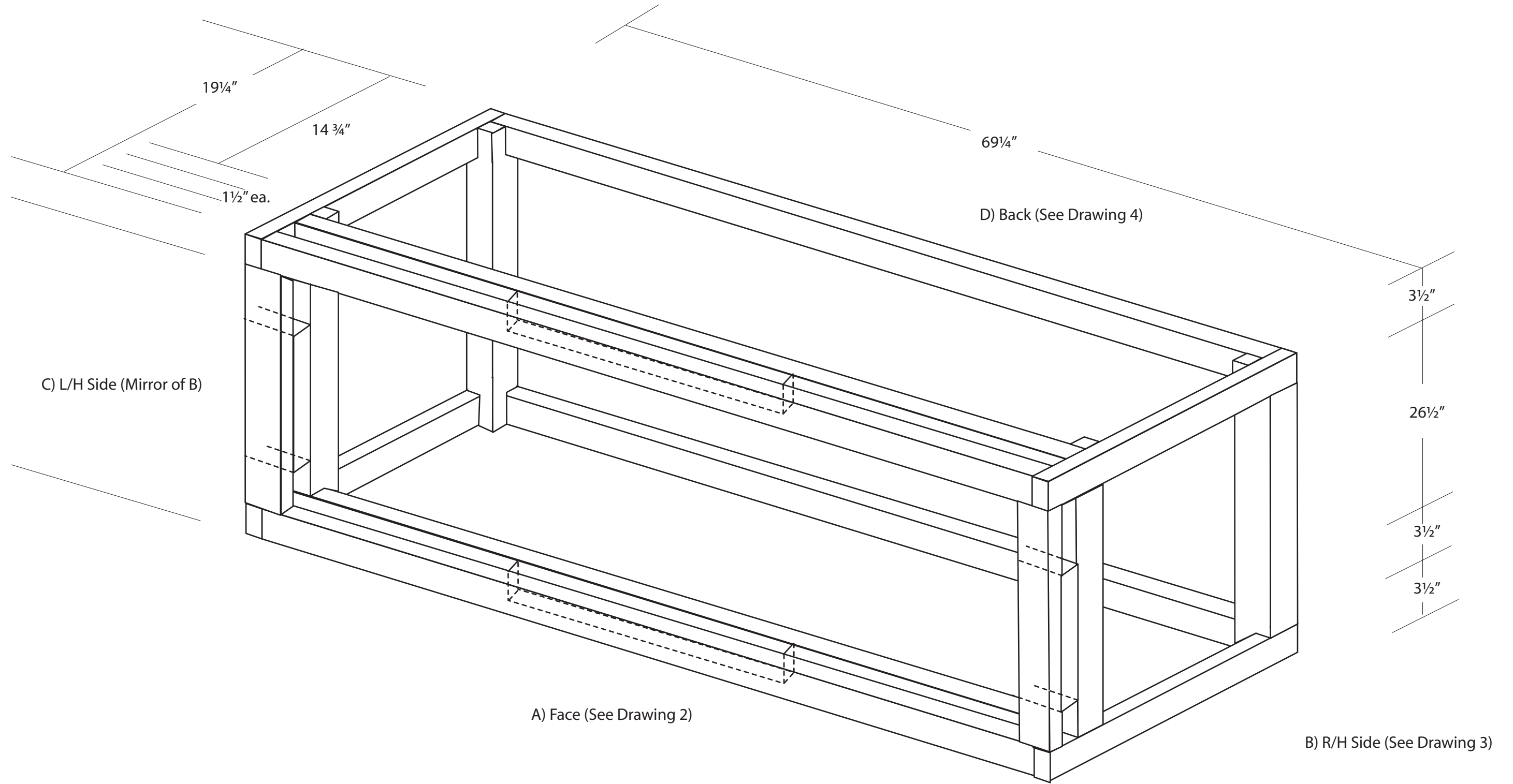


### **Materials List**

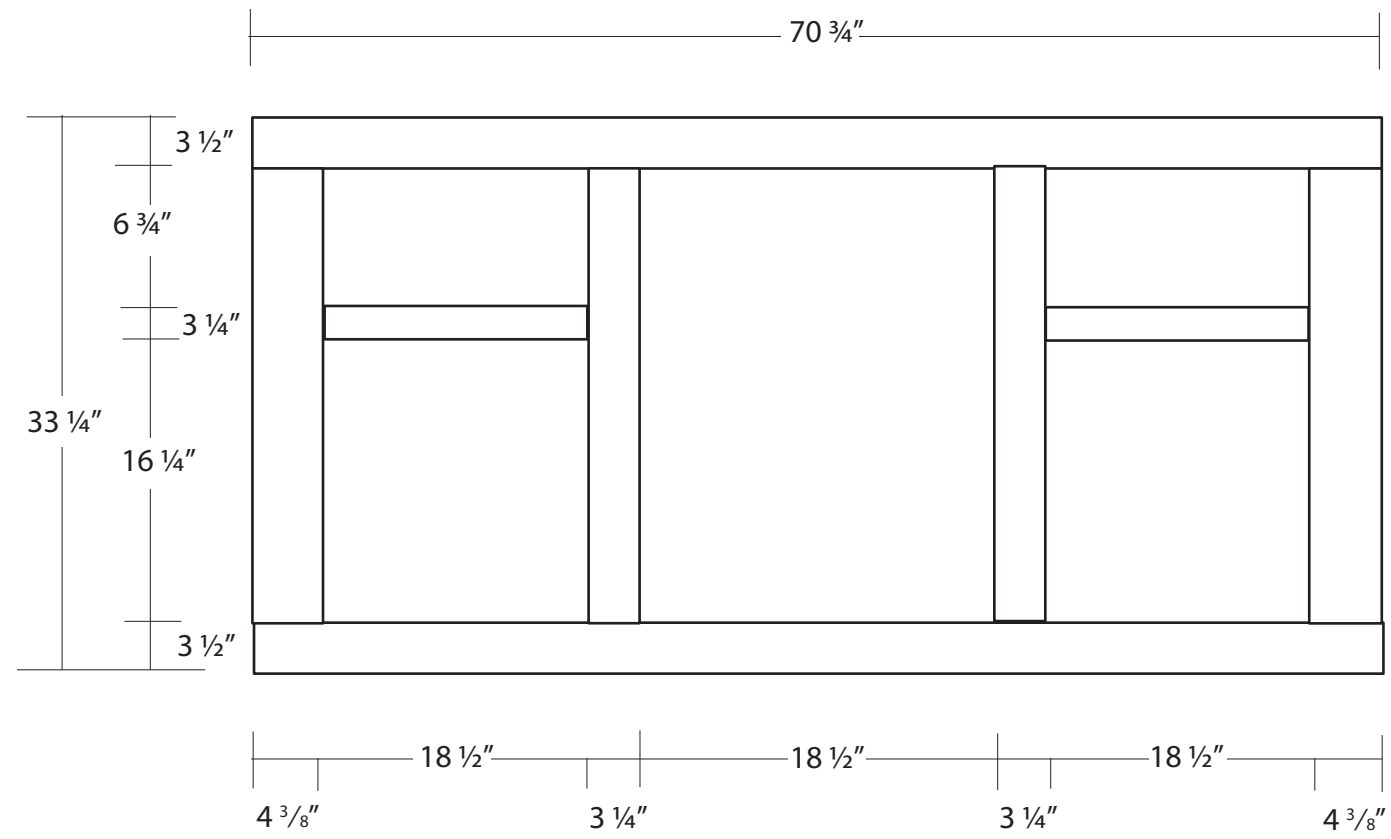
2 – 19 7/8" x 8" x 1" Blue Pine  
2 – 18" x 20" x 1" Blue Pine  
1 – 68 1/4" x 36" x 1/4" Baltic Birch plywood  
4 – 5 1/4" x 18 1/4" x 3/4" Baltic Birch plywood  
4 – 5 1/4" x 16 1/8" x 3/4" Baltic Birch plywood  
4 – 5" x 17 1/4" x 3/4" Baltic Birch plywood  
2 – 15 1/6" x 17 1/8" x 1/4" Baltic Birch plywood  
21 – 5 7/16" x 4 13/16" x 1/4" Baltic Birch plywood  
4 – 14" x 18 1/4" x 3/4" Baltic Birch plywood  
4 – 14" x 16 9/16" x 3/4" Baltic Birch plywood  
2 – 17 1/4" x 16 9/16" x 1/4" Baltic Birch plywood  
2 – 30" x 72" x 3/4" AC plywood  
1 - 36" x 72" high pressure laminate  
Carpenter's glue  
Assorted #8 wood screws 1 1/4" and 1 1/2" long  
8 – 1 1/2" x 1 1/2" EII brackets  
2 – lbs. 1 1/2" finish nails

Reloading Bench Frame  
(No Scale)  
All measurements are in inches

Materials  
4 – 4"x4"x37" #2 or better Douglas fir.  
6 – 2"x4"x62 1/4" #2 or better Douglas fir  
4 – 2"x4"x19 1/4" #2 or better Douglas fir  
2 – 2"x4"x26 1/2" #2 or better Douglas fir



- Materials
- 2 – 1" x 3 1/2" x 70 3/4" Blue Pine
  - 2 – 1" x 4 3/8" x 23 3/4" Blue Pine
  - 2 – 1" x 3 1/4" x 18 1/2" Blue Pine
  - 2 – 1" x 3 1/4" x 23 3/4" Blue Pine

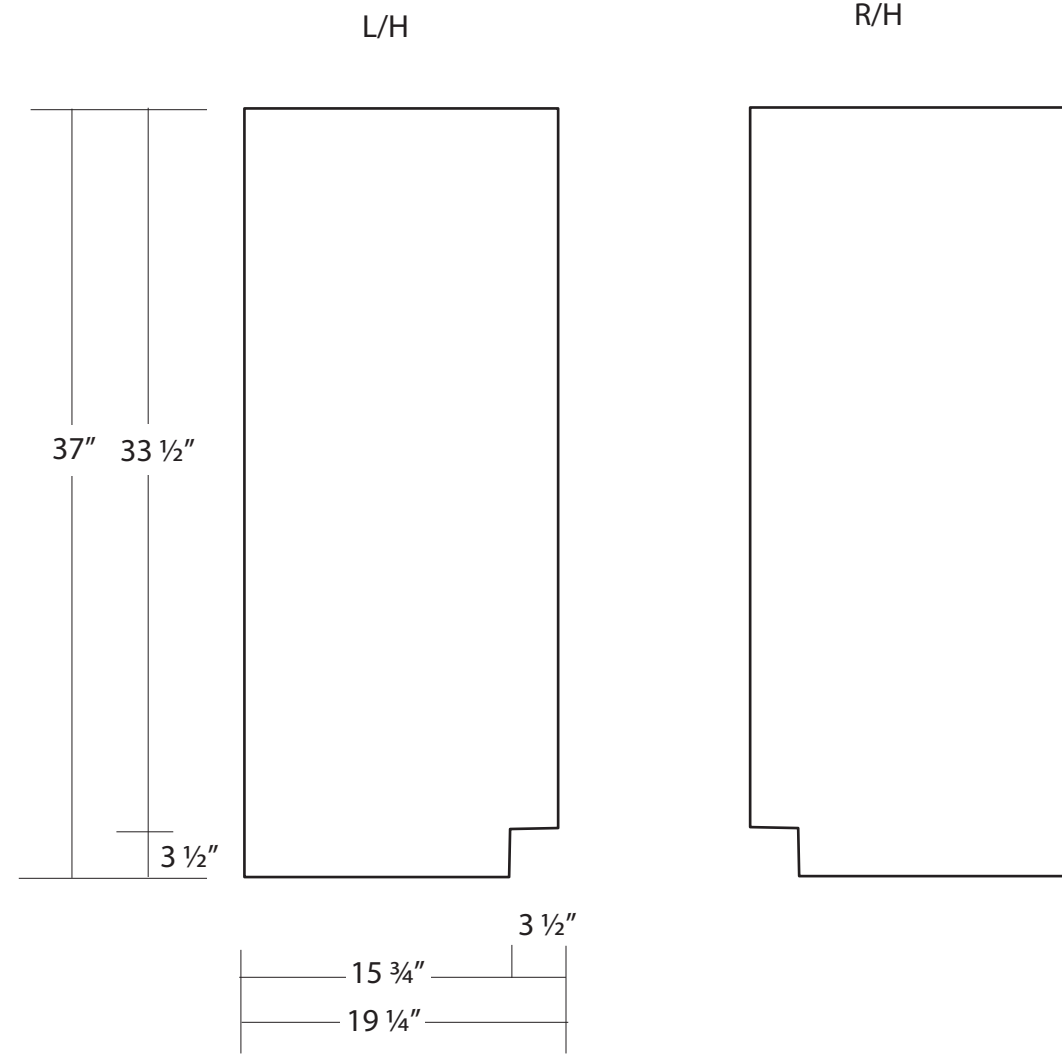


NOTES

- Face is glued using jointing biscuits for alignment
- Completed face is glued and nailed to A on Frame.

Siding Profile  
(No Scale)

Materials  
18 1/2" x 1" x 8" Blue Pine

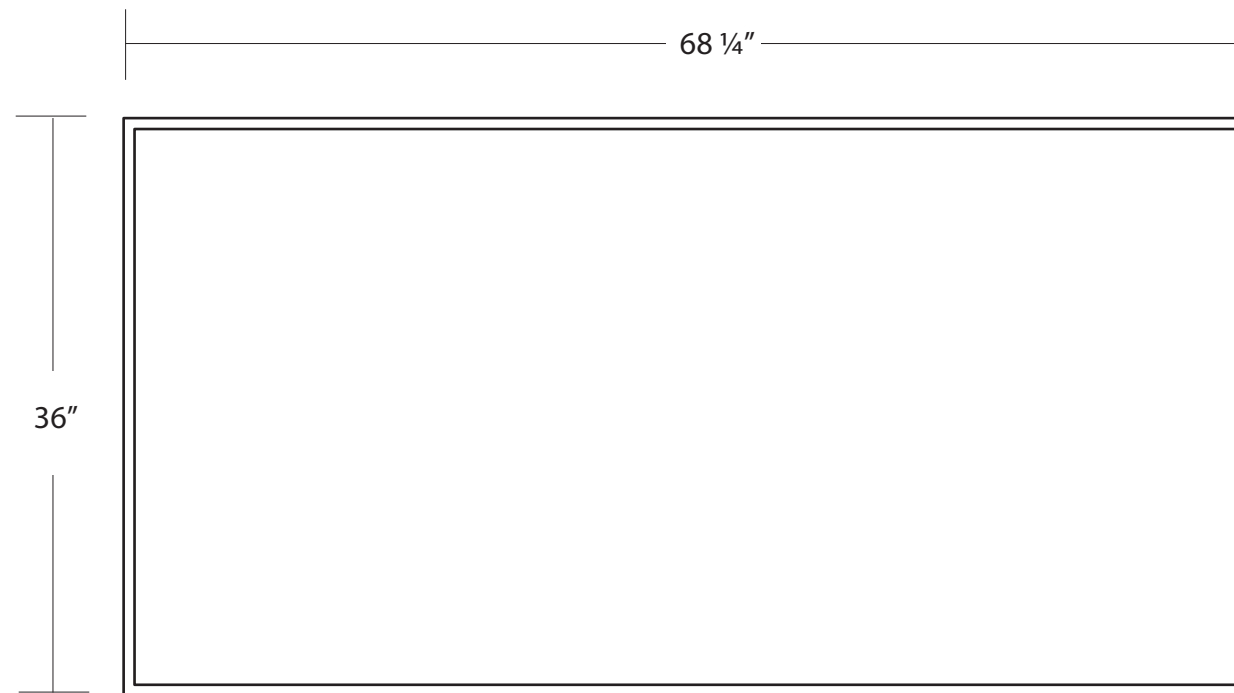


NOTES

- Panels are glued up from roughly 1" x 8" Blue Pine and cut to dimension
- Panels are glued and nailed to sides of frame

Back  
(No Scale)

Materials  
1-36" x 68 1/4" x 1/4" Baltic Birch plywood

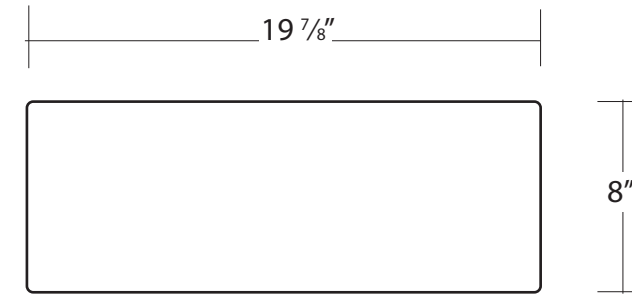


NOTES

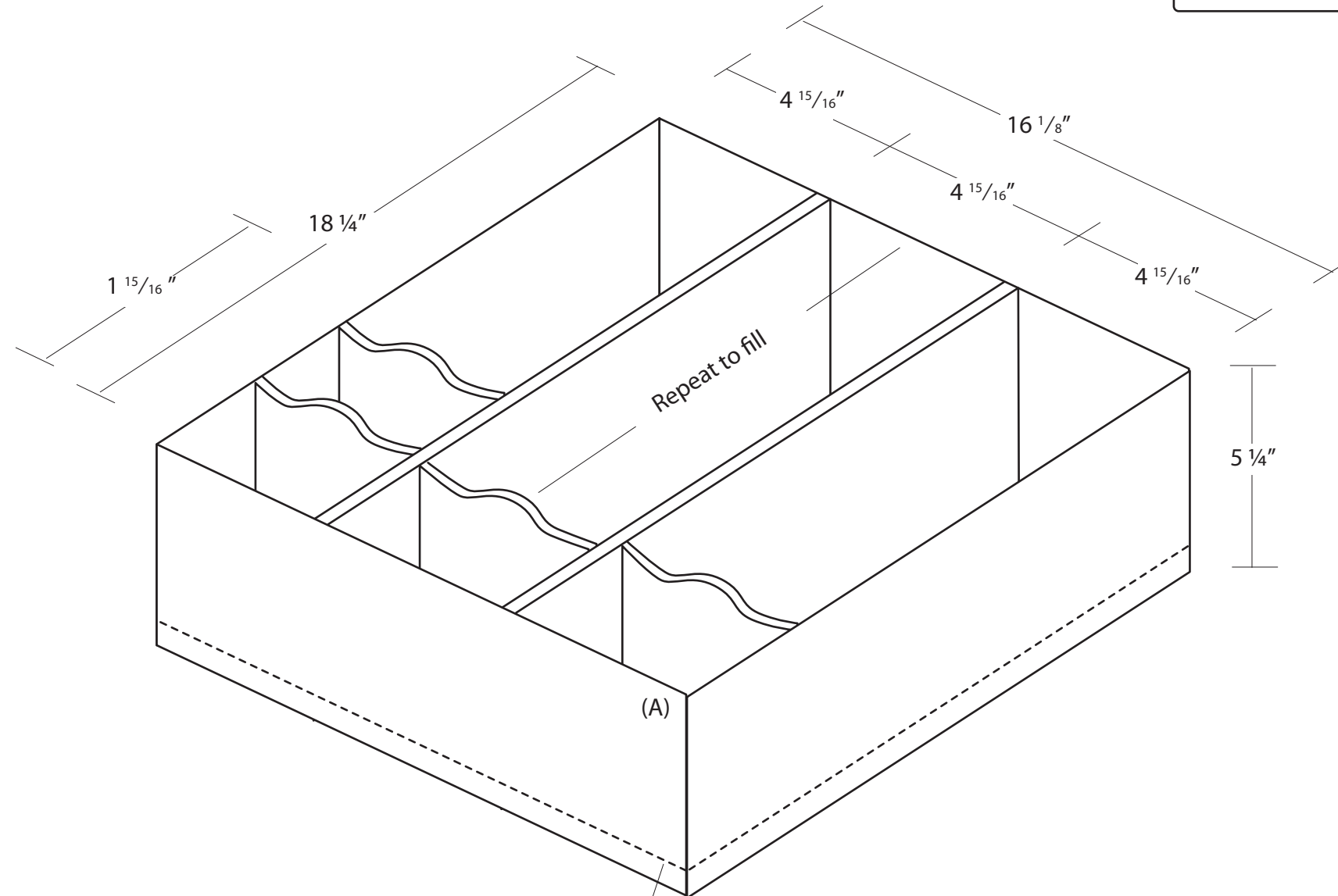
— Baltic Birch Plywood is cut 1" less than length and height; then centered and nailed to rear of frame.

Short Drawers  
(No Scale)  
Two drawers – multiply materials x 2

Drawer Face

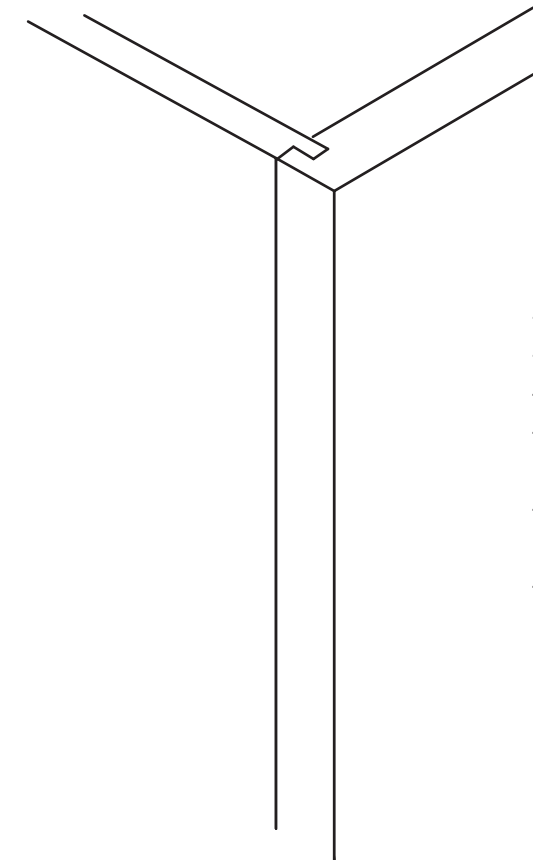


- Materials
- 68 <sup>3</sup>/<sub>4</sub>" x 5 <sup>1</sup>/<sub>4</sub>" x <sup>3</sup>/<sub>4</sub>" Baltic Birch plywood cut to size
  - 19 <sup>7</sup>/<sub>8</sub>" x 8" x 1" Blue Pine
  - 2 – <sup>3</sup>/<sub>4</sub>" x 17 <sup>1</sup>/<sub>2</sub>" x 5 <sup>1</sup>/<sub>4</sub>" Baltic Birch plywood
  - 1 – 15 <sup>1</sup>/<sub>8</sub>" x 17 <sup>1</sup>/<sub>4</sub>" x <sup>1</sup>/<sub>4</sub>" Baltic Birch plywood
  - 21 – 5 <sup>9</sup>/<sub>16</sub>" x 4 <sup>13</sup>/<sub>16</sub>" x <sup>1</sup>/<sub>4</sub>" Baltic Birch plywood cut to profile



<sup>1</sup>/<sub>4</sub>" x <sup>1</sup>/<sub>4</sub>" groove  
<sup>1</sup>/<sub>4</sub>" from bottom inside edge for drawer bottom

(A) Detail of joint

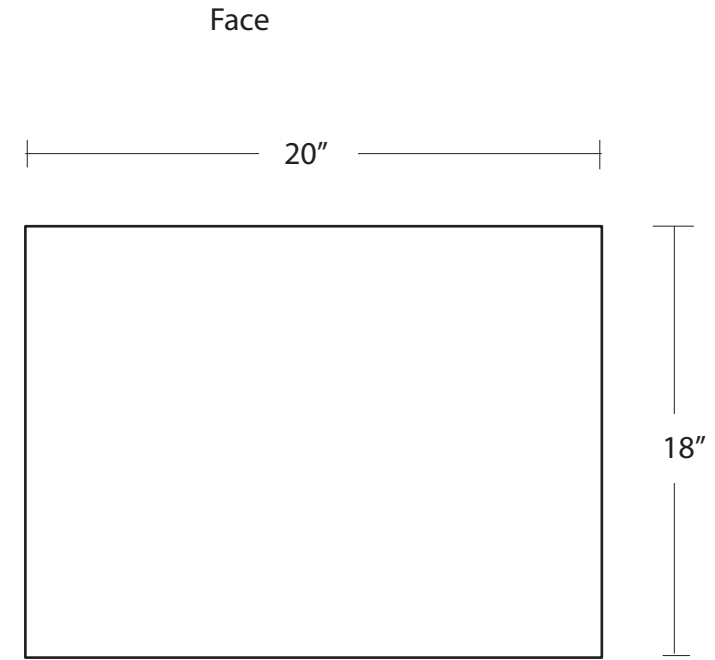
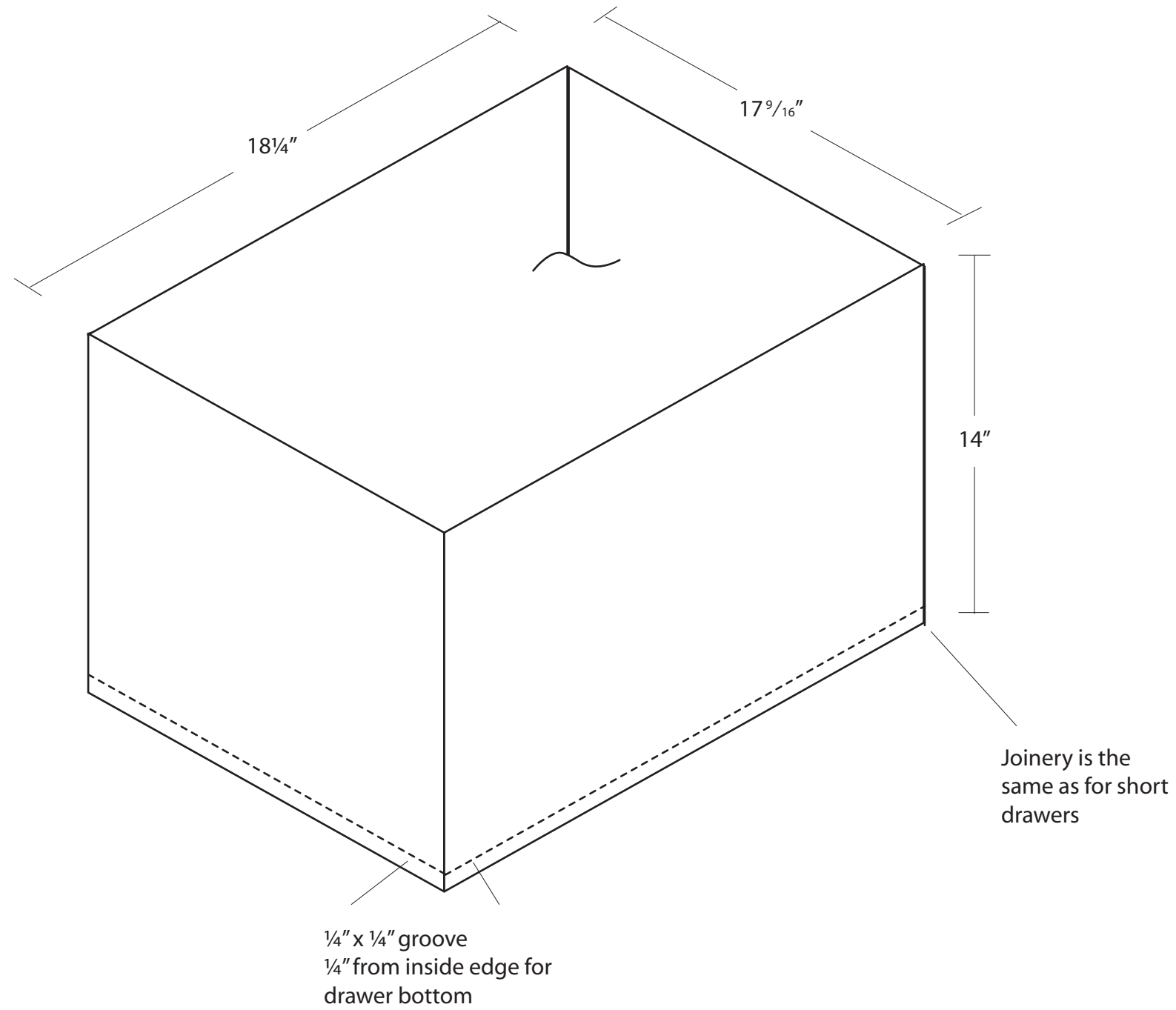


NOTES

- Baltic birch joints (A) are <sup>3</sup>/<sub>8</sub>" x <sup>3</sup>/<sub>8</sub>"
- Dividers are dadoed <sup>3</sup>/<sub>8</sub>" into face/rear
- Do not glue bottom into groove
- Face is glued and screwed from the back with 1 <sup>1</sup>/<sub>4</sub>" screws.
- <sup>1</sup>/<sub>4</sub>" round-over radius top of drawer and front of face.
- Round over dividers with drum sander.

Tall Drawers  
(no scale)

Materials  
71 <sup>5</sup>/<sub>8</sub>" x 14 <sup>3</sup>/<sub>4</sub>" Baltic Birch plywood cut as shown  
17 <sup>1</sup>/<sub>4</sub>" x 16 <sup>9</sup>/<sub>16</sub>" x <sup>1</sup>/<sub>4</sub>" Baltic Birch plywood  
60" x 8" x 1" Blue Pine cut and glued into panel

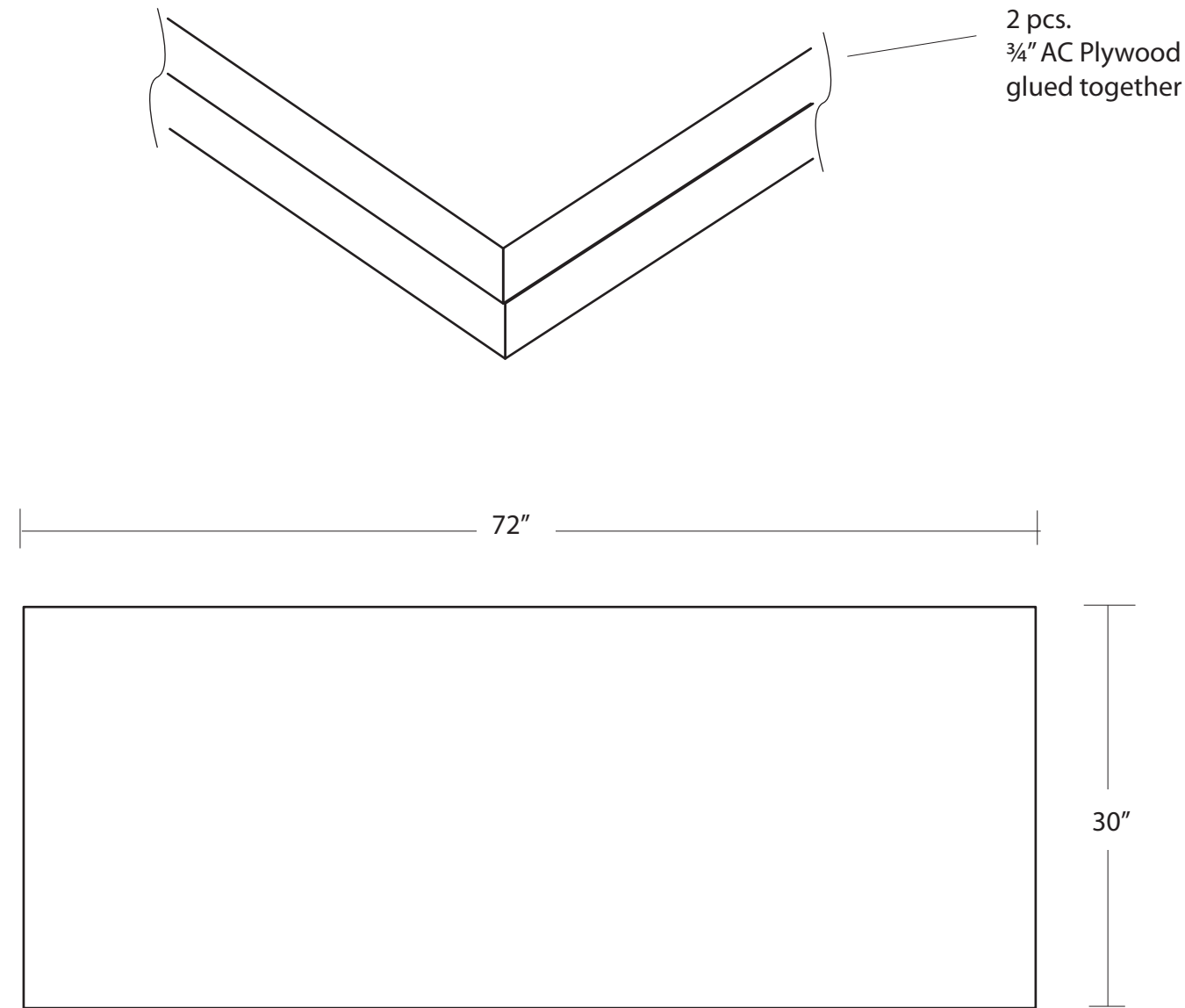


NOTES

- 1/4" round-over top edges of drawer
- 1/4" round over face
- Attach face with glue and screws as done on short drawers
- Do not glue in bottom

Top  
(no scale)

Materials  
2 – 30" x 72" x 3/4" AC plywood  
1 – 30" x 72" laminate  
132" x 1 1/2" laminate cut to fit edge



NOTES

- Glue plywood using carpenter's glue
- Laminate glued with contact cement
- Glue laminate edge first, then rout flush.
- Glue top last and rout flush.
- Top attached to carcass with 8 – 1 1/2" x 1 1/2" ell brackets and 1 1/4" wood screws.